

Customer Care Solutions

RH-30/31 Series Transceivers

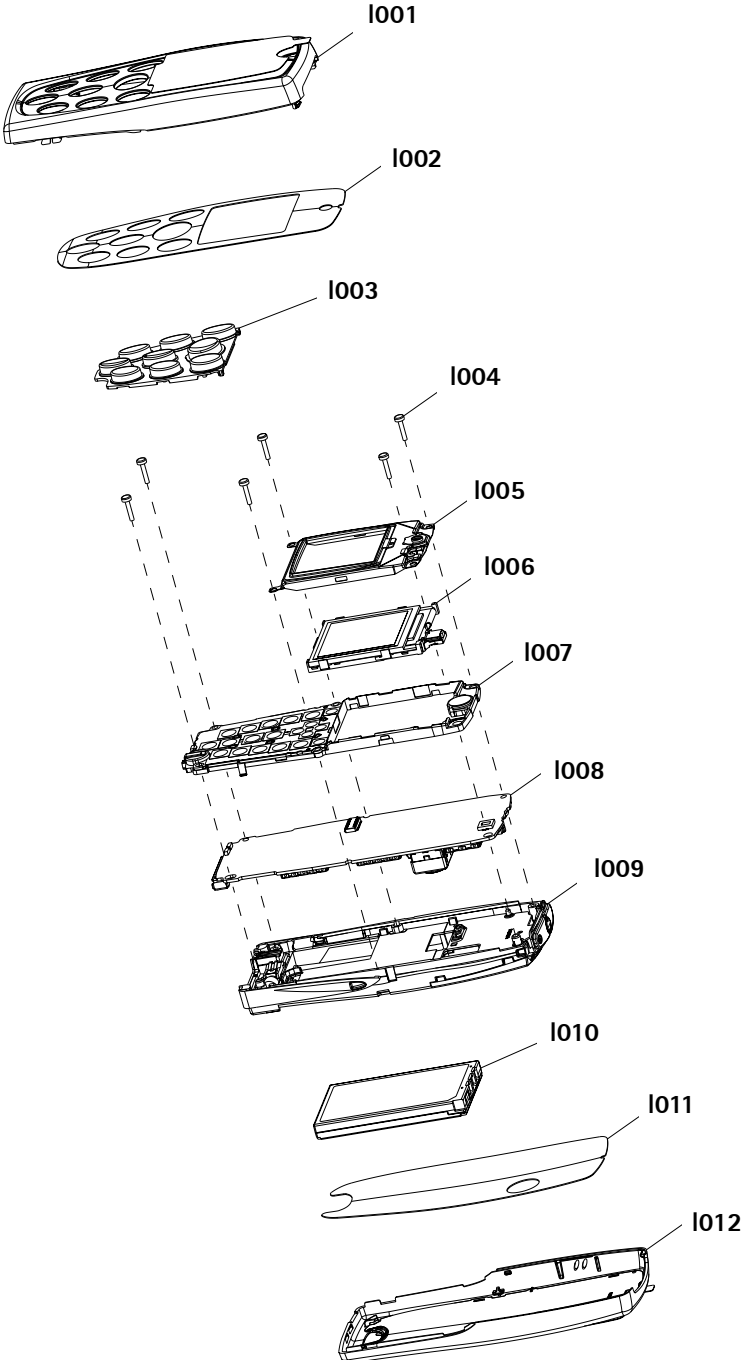
Parts List

[This page left intentionally blank]

Table of Contents

	Page No
Exploded view of RH-30/31	4
Assembly parts list	5
RH 30/31 AMS C-cover	6
Parts list RH-30/31	7

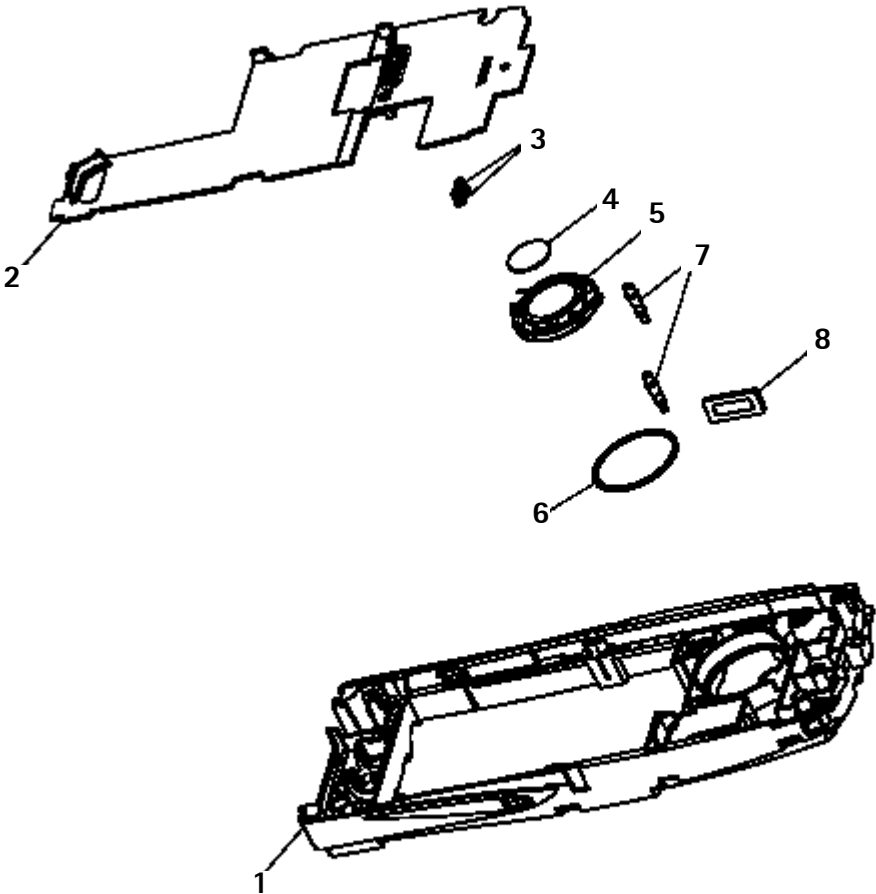
Exploded view of RH-30/31



Assembly parts list

Item	Code	Description	
I001	9456088	A-COVER ASSY DMC06659	
I002	9470446	A-COVER CUT-OUT COVER DMD11186	
I003	9791015	KEYMAT ASSEMBLY LATIN DMC06421	
I004	6290107	SCREW	
I005	9517307	DISPLAY SHIELD ASSY DMC06523	
I006	4850291	LCD MODULE	
I007	9498007	UI-MODULE ASSEMBLY DMC06677	
I008	9854730	PWB	
I009	9459086	C-COVER ASSY DMC06647	C-cover for HDh12
	9459087	C-COVER ASSY DMC06647	C-cover for HDh52
I010	0670334	Battery	
I011	9470449	B-COVER CUT-OUT COVER DMD11187	
I012	9459085	B-COVER ASSY DMC06661	

RH 30/31 AMS C-cover



Parts list RH-30/31

ITEM	CODE	SIDE	X	Y	VALUE	PART NUMBER	VALUE	VALUE
A356	9517242	Bottom	O	6	SHIELD_DMC05342	NECTAR J SHIELD AS DMC05342 NHL4J	~	~
A500	9517365	Bottom	K	3	SHIELD_DMC05180	HELGA J SHIELD AS DMC05180 NHL-4J	~	~
A700	9517259	Bottom	D	5	SHIELD_DMC05181	SHIELD ASSY PA DMC05075	~	~
A970	9517244	Bottom	I	7	SHIELD_DMC05410	C J SHIELD ASSY DMC05410 NHL-4J	~	~
B200	4510405	Top	P	7	CRYSTAL_FC_255	CRYSTAL 32.768KHZ+-20PPM 12.5PF	32.768kHz	~
C100	2315201	Bottom	H	2	0405_2_P0.65	CHIP ARRAY NP0 2X27P K 25V 0405	2x27p	25V
C101	2320481	Top	R	5	0603C	CHIPCAP X5R 1U K 6V3 0603	1u0	6.3V
C102	2320481	Top	S	4	0603C	CHIPCAP X5R 1U K 6V3 0603	1u0	6.3V
C103	2321013	Top	P	6	0402C	CHIPCAP NP0 270P J 25V 0402	270p	25V
C104	2315201	Top	S	5	0405_2_P0.65	CHIP ARRAY NP0 2X27P K 25V 0405	2x27p	25V
C106	2320744	Top	Q	5	0402C	Chipcap X7R 10% 50V 0402	1n0	50V
C107	2320536	Top	S	7	0402C	Chipcap 5% NP0	10p	50V
C108	2320536	Top	S	7	0402C	Chipcap 5% NP0	10p	50V
C109	2320536	Top	R	7	0402C	Chipcap 5% NP0	10p	50V
C110	2320544	Top	R	5	0402C	Chipcap 5% NP0	22p	50V
C112	2320778	Top	S	4	0402C	Chipcap X7R 10% 16V 0402	10n	16V
C113	2320778	Top	R	6	0402C	Chipcap X7R 10% 16V 0402	10n	16V
C114	2320778	Top	S	6	0402C	Chipcap X7R 10% 16V 0402	10n	16V
C115	2320756	Top	Q	7	0402C	Chipcap X7R 10% 50V 0402	3n3	50V
C116	2320756	Top	R	7	0402C	Chipcap X7R 10% 50V 0402	3n3	50V
C117	2320536	Top	R	7	0402C	Chipcap 5% NP0	10p	50V
C118	2320778	Top	R	7	0402C	Chipcap X7R 10% 16V 0402	10n	16V
C119	2320778	Top	R	6	0402C	Chipcap X7R 10% 16V 0402	10n	16V
C150	2316001	Top	Q	6	0603C	CHIPCAP X5R 2U2 K 6V3 0603	2u2	6V3
C151	2315205	Top	R	5	0405_2_P0.65_AVX	CHIP ARRAY X5R 2X1N M 16V 0405	2x1n	16V
C152	2316001	Top	S	5	0603C	CHIPCAP X5R 2U2 K 6V3 0603	2u2	6V3
C153	2315209	Top	R	5	0405_2_P0.65_AVX	CHIP ARRAY X5R 2X33N M 10V 0405	2x33n	10V
C154	2315209	Top	Q	6	0405_2_P0.65_AVX	CHIP ARRAY X5R 2X33N M 10V 0405	2x33n	10V
C155	2315201	Top	P	6	0405_2_P0.65	CHIP ARRAY NP0 2X27P K 25V 0405	2x27p	25V
C157	2315201	Top	S	6	0405_2_P0.65	CHIP ARRAY NP0 2X27P K 25V 0405	2x27p	25V
C158	2315201	Top	R	6	0405_2_P0.65	CHIP ARRAY NP0 2X27P K 25V 0405	2x27p	25V
C159	2315201	Top	Q	7	0405_2_P0.65	CHIP ARRAY NP0 2X27P K 25V 0405	2x27p	25V
C160	2320805	Top	Q	5	0402C	CHIPCAP X5R 100N K 10V 0402	100n	10V
C161	2320805	Top	Q	6	0402C	CHIPCAP X5R 100N K 10V 0402	100n	10V
C162	2320805	Bottom	P	6	0402C	CHIPCAP X5R 100N K 10V 0402	100n	10V
C163	2320805	Bottom	M	6	0402C	CHIPCAP X5R 100N K 10V 0402	100n	10V
C164	2315205	Bottom	F	5	0405_2_P0.65_AVX	CHIP ARRAY X5R 2X1N M 16V 0405	2x1n	16V
C165	2320805	Bottom	P	6	0402C	CHIPCAP X5R 100N K 10V 0402	100n	10V
C166	2320481	Top	R	6	0603C	CHIPCAP X5R 1U K 6V3 0603	1u0	6.3V
C167	2320481	Top	Q	5	0603C	CHIPCAP X5R 1U K 6V3 0603	1u0	6.3V
C168	2320805	Bottom	P	6	0402C	CHIPCAP X5R 100N K 10V 0402	100n	10V
C169	2320805	Top	Q	5	0402C	CHIPCAP X5R 100N K 10V 0402	100n	10V
C170	2320805	Bottom	P	6	0402C	CHIPCAP X5R 100N K 10V 0402	100n	10V
C171	2320540	Top	Q	6	0402C	Chipcap 5% NP0	15p	50V
C173	2320556	Bottom	G	5	0402C	Chipcap 5% NP0	68p	50V
C174	2320556	Bottom	G	5	0402C	Chipcap 5% NP0	68p	50V
C200	2320805	Top	N	7	0402C	CHIPCAP X5R 100N K 10V 0402	100n	10V
C201	2320481	Top	M	7	0603C	CHIPCAP X5R 1U K 6V3 0603	1u0	6.3V
C202	2320778	Top	M	7	0402C	Chipcap X7R 10% 16V 0402	10n	16V
C203	2320481	Top	P	4	0603C	CHIPCAP X5R 1U K 6V3 0603	1u0	6.3V
C204	2320481	Bottom	M	7	0603C	CHIPCAP X5R 1U K 6V3 0603	1u0	6.3V
C205	2320481	Top	O	7	0603C	CHIPCAP X5R 1U K 6V3 0603	1u0	6.3V
C206	2320481	Top	O	7	0603C	CHIPCAP X5R 1U K 6V3 0603	1u0	6.3V
C207	2320481	Top	P	4	0603C	CHIPCAP X5R 1U K 6V3 0603	1u0	6.3V
C208	2320481	Top	N	7	0603C	CHIPCAP X5R 1U K 6V3 0603	1u0	6.3V
C209	2320536	Top	P	7	0402C	Chipcap 5% NP0	10p	50V
C210	2320536	Top	Q	7	0402C	Chipcap 5% NP0	10p	50V
C211	2320481	Top	O	7	0603C	CHIPCAP X5R 1U K 6V3 0603	1u0	6.3V
C212	2320481	Top	P	7	0603C	CHIPCAP X5R 1U K 6V3 0603	1u0	6.3V
C213	2320481	Top	O	7	0603C	CHIPCAP X5R 1U K 6V3 0603	1u0	6.3V
C214	2320481	Top	P	6	0603C	CHIPCAP X5R 1U K 6V3 0603	1u0	6.3V
C215	2320481	Top	P	6	0603C	CHIPCAP X5R 1U K 6V3 0603	1u0	6.3V
C218	2320805	Top	P	5	0402C	CHIPCAP X5R 100N K 10V 0402	100n	10V
C219	2320481	Top	N	7	0603C	CHIPCAP X5R 1U K 6V3 0603	1u0	6.3V

ITEM	CODE	SIDE	X	Y	VALUE	PART NUMBER	VALUE	VALUE
C220	2320778	Top	Q	5	0402C	Chipcap X7R 10% 16V 0402	10n	16V
C221	2320481	Top	M	7	0603C	CHIPCAP X5R 1U K 6V3 0603	1u0	6.3V
C222	2320481	Top	M	6	0603C	CHIPCAP X5R 1U K 6V3 0603	1u0	6.3V
C223	2320481	Top	L	6	0603C	CHIPCAP X5R 1U K 6V3 0603	1u0	6.3V
C224	2320481	Top	L	5	0603C	CHIPCAP X5R 1U K 6V3 0603	1u0	6.3V
C225	2320481	Top	M	6	0603C	CHIPCAP X5R 1U K 6V3 0603	1u0	6.3V
C226	2320481	Top	M	5	0603C	CHIPCAP X5R 1U K 6V3 0603	1u0	6.3V
C227	2320481	Top	L	5	0603C	CHIPCAP X5R 1U K 6V3 0603	1u0	6.3V
C228	2320481	Top	M	5	0603C	CHIPCAP X5R 1U K 6V3 0603	1u0	6.3V
C229	2320481	Top	L	5	0603C	CHIPCAP X5R 1U K 6V3 0603	1u0	6.3V
C230	2320481	Top	L	5	0603C	CHIPCAP X5R 1U K 6V3 0603	1u0	6.3V
C231	2320481	Top	M	5	0603C	CHIPCAP X5R 1U K 6V3 0603	1u0	6.3V
C232	2320481	Top	M	5	0603C	CHIPCAP X5R 1U K 6V3 0603	1u0	6.3V
C233	2320481	Top	M	6	0603C	CHIPCAP X5R 1U K 6V3 0603	1u0	6.3V
C234	2320481	Top	M	5	0603C	CHIPCAP X5R 1U K 6V3 0603	1u0	6.3V
C235	2320481	Top	P	7	0603C	CHIPCAP X5R 1U K 6V3 0603	1u0	6.3V
C236	2320805	Top	M	4	0402C	CHIPCAP X5R 100N K 10V 0402	100n	10V
C237	2320805	Top	M	4	0402C	CHIPCAP X5R 100N K 10V 0402	100n	10V
C238	2320805	Top	N	7	0402C	CHIPCAP X5R 100N K 10V 0402	100n	10V
C239	2320805	Top	Q	5	0402C	CHIPCAP X5R 100N K 10V 0402	100n	10V
C240	2320778	Top	Q	5	0402C	Chipcap X7R 10% 16V 0402	10n	16V
C241	2320744	Top	Q	5	0402C	Chipcap X7R 10% 50V 0402	1n0	50V
C242	2320744	Top	Q	5	0402C	Chipcap X7R 10% 50V 0402	1n0	50V
C243	2320481	Top	Q	5	0603C	CHIPCAP X5R 1U K 6V3 0603	1u0	6.3V
C260	2320481	Top	M	6	0603C	CHIPCAP X5R 1U K 6V3 0603	1u0	6.3V
C261	2320481	Top	O	7	0603C	CHIPCAP X5R 1U K 6V3 0603	1u0	6.3V
C262	2320481	Top	M	6	0603C	CHIPCAP X5R 1U K 6V3 0603	1u0	6.3V
C263	2320481	Top	M	6	0603C	CHIPCAP X5R 1U K 6V3 0603	1u0	6.3V
C264	2320481	Top	N	7	0603C	CHIPCAP X5R 1U K 6V3 0603	1u0	6.3V
C265	2320481	Top	Q	5	0603C	CHIPCAP X5R 1U K 6V3 0603	1u0	6.3V
C302	2320556	Top	K	6	0402C	Chipcap 5% NP0	68p	50V
C304	2312249	Top	L	7	0805C	CHIPCAP X5R 4U7 K 10V 0805	4u7	10V
C305	2320805	Top	L	6	0402C	CHIPCAP X5R 100N K 10V 0402	100n	10V
C306	2320778	Bottom	R	5	0402C	Chipcap X7R 10% 16V 0402	10n	16V
C310	2320544	Bottom	A	5	0402C	Chipcap 5% NP0	22p	50V
C350	2312243	Bottom	B	4	0805C	CHIPCAP X5R 4U7 K 6V3 0805	4u7	6V3
C352	2320805	Bottom	A	4	0402C	CHIPCAP X5R 100N K 10V 0402	100n	10V
C353	2320805	Bottom	B	3	0402C	CHIPCAP X5R 100N K 10V 0402	100n	10V
C357	2320778	Bottom	O	7	0402C	Chipcap X7R 10% 16V 0402	10n	16V
C358	2320785	Bottom	O	7	0402C	chipcap x7r 47n k 10v 0402	47n	10V
C359	2320805	Bottom	O	6	0402C	CHIPCAP X5R 100N K 10V 0402	100n	10V
C361	2320744	Bottom	M	6	0402C	Chipcap X7R 10% 50V 0402	1n0	50V
C362	2320778	Bottom	O	6	0402C	Chipcap X7R 10% 16V 0402	10n	16V
C363	2315261	Bottom	M	7	0405_2 P0.65	CHIP ARRAY X5R 2X47N K 10V 0405	2x47n	10V
C364	2321007	Bottom	N	5	0402C	CERCAP X7R 22N K 16V 0402	22n	16V
C365	2315209	Bottom	M	6	0405_2 P0.65_AVX	CHIP ARRAY X5R 2X33N M 10V 0405	2x33n	10V
C366	2320785	Bottom	M	7	0402C	chipcap x7r 47n k 10v 0402	47n	10V
C367	2320560	Bottom	O	8	0402C	Chipcap 5% NP0	100p	50V
C370	2320760	Bottom	O	7	0402C	Chipcap X7R 10% 25V 0402	4n7	25V
C371	2320778	Bottom	M	7	0402C	Chipcap X7R 10% 16V 0402	10n	16V
C372	2320481	Bottom	N	7	0603C	CHIPCAP X5R 1U K 6V3 0603	1u0	6.3V
C373	2321007	Bottom	M	5	0402C	CERCAP X7R 22N K 16V 0402	22n	16V
C374	2320744	Bottom	N	6	0402C	Chipcap X7R 10% 50V 0402	1n0	50V
C375	2320752	Bottom	N	5	0402C	Chipcap X7R 10% 50V 0402	2n2	50V
C378	2320546	Bottom	N	7	0402C	Chipcap 5% NP0	27p	50V
C379	2320552	Bottom	N	7	0402C	Chipcap 5% NP0	47p	50V
C390	2320805	Bottom	S	2	0402C	CHIPCAP X5R 100N K 10V 0402	100n	10V
C400	2320778	Top	P	3	0402C	Chipcap X7R 10% 16V 0402	10n	16V
C401	2320805	Top	P	4	0402C	CHIPCAP X5R 100N K 10V 0402	100n	10V
C402	2320778	Top	M	4	0402C	Chipcap X7R 10% 16V 0402	10n	16V
C403	2320778	Top	M	2	0402C	Chipcap X7R 10% 16V 0402	10n	16V
C404	2320778	Top	P	3	0402C	Chipcap X7R 10% 16V 0402	10n	16V
C405	2320778	Top	M	3	0402C	Chipcap X7R 10% 16V 0402	10n	16V
C420	2320560	Top	M	3	0402C	Chipcap 5% NP0	100p	50V

ITEM	CODE	SIDE	X	Y	VALUE	PART NUMBER	VALUE	VALUE
C421	2320560	Top	M	4	0402C	Chipcap 5% NP0	100p	50V
C422	2320560	Top	M	4	0402C	Chipcap 5% NP0	100p	50V
C450	2320778	Top	S	2	0402C	Chipcap X7R 10% 16V 0402	10n	16V
C451	2320805	Top	P	3	0402C	CHIPCAP X5R 100N K 10V 0402	100n	10V
C454	2320779	Top	Q	4	0603_BLM	CHIPCAP X7R 100N K 16V 0603	100n	16V
C501	2320744	Bottom	K	3	0402C	Chipcap X7R 10% 50V 0402	1n0	50V
C503	2320564	Bottom	K	2	0402C	Chipcap 5% NP0	150p	50V
C504	2322023	Bottom	K	2	0603C	CHIPCAP NP0 2N2 J 16V 0603	2n2	16V
C505	2321013	Bottom	K	2	0402C	CHIPCAP NP0 270P J 25V 0402	270p	25V
C507	2322023	Bottom	I	4	0603C	CHIPCAP NP0 2N2 J 16V 0603	2n2	16V
C511	2320560	Bottom	C	7	0402C	Chipcap 5% NP0	100p	50V
C512	2320592	Bottom	I	5	0402C	Chipcap 5% X7R	2n2	50V
C513	2322023	Bottom	I	5	0603C	CHIPCAP NP0 2N2 J 16V 0603	2n2	16V
C520	2320554	Bottom	J	5	0402C	Chipcap 5% NP0	56p	50V
C522	2320532	Bottom	J	5	0402C	Chipcap +-0.25pF NP0	6p8	50V
C523	2320598	Bottom	J	5	0402C	Chipcap 5% X7R	3n9	50V
C531	2320546	Bottom	F	5	0402C	Chipcap 5% NP0	27p	50V
C532	2320604	Bottom	I	4	0402C	Chipcap 5% NP0	18p	50V
C533	2320554	Bottom	I	4	0402C	Chipcap 5% NP0	56p	50V
C535	2320552	Bottom	K	4	0402C	Chipcap 5% NP0	47p	50V
C536	2320552	Bottom	K	4	0402C	Chipcap 5% NP0	47p	50V
C537	2320560	Bottom	K	5	0402C	Chipcap 5% NP0	100p	50V
C538	2320744	Bottom	K	3	0402C	Chipcap X7R 10% 50V 0402	1n0	50V
C540	2320491	Bottom	L	4	0603C	CHIPCAP X7R 220N K 10V 0603	220n	10V
C543	2320558	Bottom	L	3	0402C	Chipcap 5% NP0	82p	50V
C545	2315019	Bottom	J	2	0612_H0.94	CHIP ARRAY NP0 4X470P K 16V 0612	4x470p	~
C549	2320805	Bottom	J	3	0402C	CHIPCAP X5R 100N K 10V 0402	100n	10V
C550	2320568	Bottom	J	5	0402C	Chipcap 5% X7R	220p	50V
C551	2320546	Bottom	J	5	0402C	Chipcap 5% NP0	27p	50V
C552	2320805	Bottom	K	4	0402C	CHIPCAP X5R 100N K 10V 0402	100n	10V
C553	2320536	Bottom	K	4	0402C	Chipcap 5% NP0	10p	50V
C554	2320620	Bottom	L	4	0402C	Chipcap X7R 5% 16V 0402	10n	16V
C555	2320805	Bottom	K	3	0402C	CHIPCAP X5R 100N K 10V 0402	100n	10V
C560	2320536	Bottom	K	3	0402C	Chipcap 5% NP0	10p	50V
C568	2320907	Bottom	J	5	0402C_AVX	CHIPCAP NP0 HQ 0P7 B 16V 0402	0p7	16V
C570	2320544	Bottom	B	7	0402C	Chipcap 5% NP0	22p	50V
C571	2320560	Bottom	I	5	0402C	Chipcap 5% NP0	100p	50V
C572	2320560	Bottom	J	2	0402C	Chipcap 5% NP0	100p	50V
C574	2320536	Bottom	L	5	0402C	Chipcap 5% NP0	10p	50V
C575	2320526	Bottom	I	3	0402C	Chipcap +-0.25pF NP0	3p9	50V
C700	2320744	Bottom	F	3	0402C	Chipcap X7R 10% 50V 0402	1n0	50V
C701	2320744	Bottom	F	4	0402C	Chipcap X7R 10% 50V 0402	1n0	50V
C702	2320744	Bottom	D	2	0402C	Chipcap X7R 10% 50V 0402	1n0	50V
C703	2310045	Bottom	E	3	0402C_GRM36	CHIPCAP X5R 68N K 10V 0402	68n	10V
C704	2310045	Bottom	D	2	0402C_GRM36	CHIPCAP X5R 68N K 10V 0402	68n	10V
C705	2320546	Bottom	D	2	0402C	Chipcap 5% NP0	27p	50V
C706	2320546	Bottom	D	2	0402C	Chipcap 5% NP0	27p	50V
C707	2320518	Bottom	F	3	0402C	Chipcap +-0.25pF NP0	1p8	50V
C708	2320508	Bottom	I	4	0402C	Chipcap +-0.25pF NP0	1p0	50V
C709	2320540	Bottom	C	2	0402C	Chipcap 5% NP0	15p	50V
C710	2320540	Bottom	C	3	0402C	Chipcap 5% NP0	15p	50V
C711	2320522	Bottom	C	3	0402C	Chipcap +-0.25pF NP0	2p7	50V
C713	2320584	Bottom	E	3	0402C	Chipcap 5% X7R	1n0	50V
C714	2320584	Bottom	C	3	0402C	Chipcap 5% X7R	1n0	50V
C718	2320584	Bottom	F	5	0402C	Chipcap 5% X7R	1n0	50V
C719	2320584	Bottom	D	3	0402C	Chipcap 5% X7R	1n0	50V
C723	2320540	Bottom	C	5	0402C	Chipcap 5% NP0	15p	50V
C724	2320778	Bottom	D	5	0402C	Chipcap X7R 10% 16V 0402	10n	16V
C725	2312243	Bottom	C	5	0805C	CHIPCAP X5R 4U7 K 6V3 0805	4u7	6V3
C726	2320546	Bottom	B	5	0402C	Chipcap 5% NP0	27p	50V
C727	2611745	Bottom	L	7	TANT_TPSY	CHIPTCAP 150U M 10V 7.3X4.3X2.0	150u_10V	10V
C728	2320560	Bottom	D	3	0402C	Chipcap 5% NP0	100p	50V
C729	2320554	Bottom	D	5	0402C	Chipcap 5% NP0	56p	50V
C730	2320546	Bottom	G	5	0402C	Chipcap 5% NP0	27p	50V

ITEM	CODE	SIDE	X	Y	VALUE	PART NUMBER	VALUE	VALUE
R718	2320602	Bottom	D	5	0402C	Chipcap +-0.25pF NP0	4p7	50V
C804	2320560	Bottom	C	7	0402C	Chipcap 5% NP0	100p	50V
C805	2320560	Bottom	D	7	0402C	Chipcap 5% NP0	100p	50V
C806	2320544	Bottom	C	7	0402C	Chipcap 5% NP0	22p	50V
C807	2320560	Bottom	I	3	0402C	Chipcap 5% NP0	100p	50V
C808	2320560	Bottom	I	3	0402C	Chipcap 5% NP0	100p	50V
C809	2320552	Bottom	D	7	0402C	Chipcap 5% NP0	47p	50V
C826	2320520	Bottom	B	7	0402C	Chipcap +-0.25pF NP0	2p2	50V
C827	2320805	Bottom	C	8	0402C	CHIPCAP X5R 100N K 10V 0402	100n	10V
C828	2320540	Bottom	C	8	0402C	Chipcap 5% NP0	15p	50V
C829	2320514	Bottom	C	8	0402C	Chipcap +-0.25pF NP0	1p2	50V
C970	2320805	Bottom	G	7	0402C	CHIPCAP X5R 100N K 10V 0402	100n	10V
C971	2320546	Bottom	G	7	0402C	Chipcap 5% NP0	27p	50V
C972	2320778	Bottom	J	6	0402C	Chipcap X7R 10% 16V 0402	10n	16V
C973	2320481	Bottom	G	6	0603C	CHIPCAP X5R 1U K 6V3 0603	1u0	6.3V
C974	2320546	Bottom	G	6	0402C	Chipcap 5% NP0	27p	50V
C975	2320778	Bottom	I	7	0402C	Chipcap X7R 10% 16V 0402	10n	16V
C976	2320778	Bottom	J	7	0402C	Chipcap X7R 10% 16V 0402	10n	16V
C977	2320778	Bottom	I	7	0402C	Chipcap X7R 10% 16V 0402	10n	16V
C978	2320805	Bottom	I	6	0402C	CHIPCAP X5R 100N K 10V 0402	100n	10V
C979	2320778	Bottom	H	6	0402C	Chipcap X7R 10% 16V 0402	10n	16V
C980	2320778	Bottom	J	7	0402C	Chipcap X7R 10% 16V 0402	10n	16V
C981	2320778	Bottom	I	7	0402C	Chipcap X7R 10% 16V 0402	10n	16V
C982	2320481	Bottom	H	7	0603C	CHIPCAP X5R 1U K 6V3 0603	1u0	6.3V
C983	2316001	Bottom	H	6	0603C	CHIPCAP X5R 2U2 K 6V3 0603	2u2	6V3
C984	2316001	Bottom	G	7	0603C	CHIPCAP X5R 2U2 K 6V3 0603	2u2	6V3
D200	4370959	Top	O	5	uBGA168	UEMK_EDGE WDENA TO25 TFBGA168	~	~
D400	4375019	Top	N	3	uBGA144_CC	UPP8M V3.5 F7515421 UBGA144 C035	~	~
D450	4341531	Top	Q	3	COMBO_NOR_SDRAM_64_4MB_54MHZ	COMBO 64M NOR + 4M SRAM FBGA44	4Mx16/256kx16	~
D970	4370955	Bottom	J	7	uBGA_56	HW ACCELERATOR STV0900V3.2 6X6BGA	~	~
F100	5119019	Bottom	S	3	0603_FUSE	SM FUSE F 1.5A 32V 0603	1.5A	~
G300	4700135	Bottom	Q	6	XH414H_I102N	CELL CAPACITOR 0.01MAH 3V3	3.3V	~
G500	4350431	Bottom	L	2	VCO_FDK_IT_4	VCO 3296-3980MHZ FOUR 2.7V 20MA	3296-3980MHz	~
G501	4510417	Bottom	L	5	NGK3138C	VCTCXO 26MHZ +-3PPM 2.7v 1.3MA GSM	26MHz	~
L100	3203743	Top	R	4	0805_BLM21	FERR.BEAD 0R03 42R/100MHZ 3A 0805	42R/100MHz	~
L101	3203725	Top	S	5	FERRITE_0402	FERRITE BEAD 0R6 600R/100M 0402	600R/100MHz	~
L102	3203803	Top	R	7	0405_2_H1.0	CHIP BEAD ARRAY 2X1000R 0405	2x1000R/100MH	~
L103	3203803	Top	S	6	0405_2_H1.0	CHIP BEAD ARRAY 2X1000R 0405	2x1000R/100MH	~
L104	3203803	Top	R	7	0405_2_H1.0	CHIP BEAD ARRAY 2X1000R 0405	2x1000R/100MHz	~
L105	3645011	Top	S	7	COIL_LK_1608	CHIP COIL 68NH J Q12/100MHZ 0603	68nH	~
L106	3203725	Top	T	4	FERRITE_0402	FERRITE BEAD 0R6 600R/100M 0402	600R/100MHz	~
L107	3203741	Top	T	4	0603_BLM	FERRITE BEAD 0R5 600R/100MHZ 0603	600R/100MHz	~
L150	3203803	Top	A	3	0405_2_H1.0	CHIP BEAD ARRAY 2X1000R 0405	2x1000R/100MHz	~
L151	3645349	Bottom	F	5	COIL_0603CS	CHIP COIL 33NH G Q40/250MHZ 0603	33nH	~
L152	3645349	Bottom	F	4	COIL_0603CS	CHIP COIL 33NH G Q40/250MHZ 0603	33nH	~
L260	3203741	Top	M	6	0603_BLM	FERRITE BEAD 0R5 600R/100MHZ 0603	600R/100MHz	~
L261	3203741	Top	O	7	0603_BLM	FERRITE BEAD 0R5 600R/100MHZ 0603	600R/100MHz	~
L262	3203741	Top	M	6	0603_BLM	FERRITE BEAD 0R5 600R/100MHZ 0603	600R/100MHz	~
L263	3203741	Top	M	6	0603_BLM	FERRITE BEAD 0R5 600R/100MHZ 0603	600R/100MHz	~
L264	3203741	Top	M	7	0603_BLM	FERRITE BEAD 0R5 600R/100MHZ 0603	600R/100MHz	~
L265	3203741	Top	Q	5	0603_BLM	FERRITE BEAD 0R5 600R/100MHZ 0603	600R/100MHz	~
L300	3640119	Bottom	L	6	CHOKES_984FB	CHOKES 22U M 1R4 0.33A 3.3X3.3X1.5	22uH	~
L356	3645349	Bottom	O	7	COIL_0603CS	CHIP COIL 33NH G Q40/250MHZ 0603	33nH	~

ITEM	CODE	SIDE	X	Y	VALUE	PART NUMBER	VALUE	VALUE
L357	3645349	Bottom	O	7	COIL_0603CS	CHIP COIL 33NH G Q40/250MHZ 0603	33nH	~
L358	3645233	Bottom	N	7	COIL_JELF243Q	CHIP COIL 120N G Q32/150MHZ 0603	120nH	~
L500	3646221	Bottom	J	5	0402_ELJRF	CHIP COIL 4N7+-0N3 Q7/100M 0402	4n7H	~
L501	3646221	Bottom	J	5	0402_ELJRF	CHIP COIL 4N7+-0N3 Q7/100M 0402	4n7H	~
L502	3203725	Bottom	K	5	FERRITE_0402	FERRITE BEAD 0R6 600R/100M 0402	600R/100MHz	~
L700	3646069	Bottom	E	2	0402L	CHIP COIL 33N J Q23/800M 0402	33nH	~
L701	3646021	Bottom	F	2	0402_ELJRF	CHIP COIL 22N J Q7/100MHZ 0402	22nH	~
L702	3646053	Bottom	B	3	0402L	CHIP COIL 4N7 +-0N3 Q28/800M 0402	4n7H	~
L703	3203743	Bottom	C	5	0805_BLM21	FERR.BEAD 0R03 42R/100MHZ 3A 0805	42R/100MHz	~
C734	3646065	Bottom	D	6	0402L	CHIP COIL 12N J Q31/800M 0402	12nH	~
L800	3646047	Bottom	C	7	0402L	CHIP COIL 3N3 +-0N3 Q28/800M 0402	3n3H	~
L805	3646055	Bottom	I	3	0402L	CHIP COIL 8N2 J Q28/800MHZ 0402	8n2H	~
L809	3646067	Bottom	J	2	0402L	CHIP COIL 18N J Q29/800M 0402	18nH	~
L810	3646067	Bottom	I	2	0402L	CHIP COIL 18N J Q29/800M 0402	18nH	~
L824	3646047	Bottom	B	7	0402L	CHIP COIL 3N3 +-0N3 Q28/800M 0402	3n3H	~
L838	3646101	Bottom	I	3	0402L	CHIP COIL 3N9 +-0N3 Q28/800M 0402	3n9H	~
L839	3646101	Bottom	I	3	0402L	CHIP COIL 3N9 +-0N3 Q28/800M 0402	3n9H	~
N100	4341063	Top	S	4	SOT23_5_H1.2	REG 2.8V/150MA LP3985 SOT23-5	~	2.8V
N150	4341417	Top	R	6	USMD18_ST_NSC	AF AMP 85MW 5V LM4855ITLX USMD18	~	~
N300	4341309	Top	L	6	SOT23L_8	DC/DC CONV 350MA TK11851 SSOP8	~	~
N350	4860121	Bottom	A	3	IRDA_RPM960	IRDA RPM960-H7 1.152MB/S >2.4V 8PIN	~	~
N356	4341427	Bottom	N	6	HVQFN40	FM RECEIVER TEA5767HN LQFP40	~	~
N500	4370949	Bottom	J	4	uBGA_108_P0.5	HELGO73A TFBGA108	~	~
N700	4350427	Bottom	D	4	PW_AMP_RF9219E1_H1.8	PW AMP PF09003BN 900/1800/1900MHZ	~	~
N970	4341485	Bottom	H	7	USMD5_1.442X1.087_H0.675	REG 1.8V/150MA (LP2985ITLX) USMD5	~	1.8V
R100	1430726	Top	T	5	0402R	Resistor 5% 63mW	100R	~
R101	1430726	Top	S	5	0402R	Resistor 5% 63mW	100R	~
R102	1430726	Top	T	5	0402R	Resistor 5% 63mW	100R	~
R103	4120011	Top	T	5	uBGA5	ZDIX4 IP4043CX5 CA 14V2 10W CSP5	~	~
R104	1430812	Top	S	5	0402R	Resistor 5% 63mW	220k	~
R105	1825133	Top	S	6	0402_VAR	CHIP VARISTOR VWM14V VC50V 0402	14V/50V	~
R106	1825133	Top	R	6	0402_VAR	CHIP VARISTOR VWM14V VC50V 0402	14V/50V	~
R107	1825133	Top	R	6	0402_VAR	CHIP VARISTOR VWM14V VC50V 0402	14V/50V	~
R108	1825133	Top	R	6	0402_VAR	CHIP VARISTOR VWM14V VC50V 0402	14V/50V	~
R109	1430804	Top	P	5	0402R	Resistor 5% 63mW	100k	~
R111	1430804	Top	R	4	0402R	Resistor 5% 63mW	100k	~
R151	1825133	Top	A	3	0402_VAR	CHIP VARISTOR VWM14V VC50V 0402	14V/50V	~
R152	1825133	Top	B	3	0402_VAR	CHIP VARISTOR VWM14V VC50V 0402	14V/50V	~
R153	1430137	Top	Q	6	0402R	CHIPRES 0W06 1K0 F 200PPM 0402	1k0	~
R154	1430137	Top	Q	6	0402R	CHIPRES 0W06 1K0 F 200PPM 0402	1k0	~
R155	1620105	Top	Q	6	MNR02	RES NETWORK 0W06 2X2k2 J 0404	2x2k2	~
R156	1430762	Top	S	5	0402R	Resistor 5% 63mW	2k2	~
R157	1620105	Top	S	5	MNR02	RES NETWORK 0W06 2X2k2 J 0404	2x2k2	~
R158	1825133	Top	R	6	0402_VAR	CHIP VARISTOR VWM14V VC50V 0402	14V/50V	~
R159	1825133	Top	Q	7	0402_VAR	CHIP VARISTOR VWM14V VC50V 0402	14V/50V	~
R163	1430764	Top	Q	6	0402R	Resistor 5% 63mW	3k3	~
R164	1430700	Top	R	5	0402R	Resistor 5% 63mW	10R	~
R165	1430700	Top	R	6	0402R	Resistor 5% 63mW	10R	~
R166	1430700	Top	R	6	0402R	Resistor 5% 63mW	10R	~
R167	1430700	Top	R	6	0402R	Resistor 5% 63mW	10R	~
R171	1430734	Top	S	5	0402R	Resistor 5% 63mW	220R	~
R172	1430734	Bottom	P	5	0402R	Resistor 5% 63mW	220R	~
R173	1430754	Top	Q	6	0402R	Resistor 5% 63mW	1k0	~
R200	1414605	Top	N	7	0805R_THERM1	CHIPRES 0W25 0R22 J 0805	0R22	~
R202	1620043	Top	P	5	EXB28V	RES NETWORK 0W03 4X100K J 0804	4x100k	~
R206	1430770	Top	P	5	0402R	Resistor 5% 63mW	4k7	~
R207	1430770	Top	P	5	0402R	Resistor 5% 63mW	4k7	~
R301	1430187	Top	L	7	0402R	Chipres 0W06 47k F 200ppm 0402	47k	~
R304	1825133	Bottom	H	2	0402_VAR	CHIP VARISTOR VWM14V VC50V 0402	14V/50V	~
R305	1825133	Bottom	A	5	0402_VAR	CHIP VARISTOR VWM14V VC50V 0402	14V/50V	~
R306	1430778	Bottom	A	5	0402R	Resistor 5% 63mW	10k	~
R307	1825133	Top	L	4	0402_VAR	CHIP VARISTOR VWM14V VC50V 0402	14V/50V	~
R308	1430740	Bottom	B	6	0402R	Resistor 5% 63mW	330R	~
R309	1430740	Bottom	B	6	0402R	Resistor 5% 63mW	330R	~
R310	1825133	Bottom	G	2	0402_VAR	CHIP VARISTOR VWM14V VC50V 0402	14V/50V	~

ITEM	CODE	SIDE	X	Y	VALUE	PART NUMBER	VALUE	VALUE
R311	1430249	Top	T	3	0402R	CHIPRES 0W06 33R F 100PPM 0402	33R	~
R312	1430841	Top	S	3	0402R	Chipres 0W06 6k8 F 0402	6k8	~
R313	1430249	Top	T	3	0402R	CHIPRES 0W06 33R F 100PPM 0402	33R	~
R314	1430841	Top	S	3	0402R	Chipres 0W06 6k8 F 0402	6k8	~
R315	1430855	Top	L	7	0402R	CHIPRES 0W06 300K F 200PPM 0402	300k	~
R316	1430770	Top	S	2	0402R	Resistor 5% 63mW	4k7	~
R317	1430121	Top	K	7	0402R	Chipres 0W06 22k F 200ppm 0402	22k	~
R318	1430714	Top	T	2	0402R	Resistor 5% 63mW	33R	~
R325	1430691	Top	L	6	0402R	CHIPRES 0W06 2R2 J 0402	2R2	~
R350	1413850	Top	B	2	0805R THERM1	CHIPRES 0W125 4R7 J 0805	4R7	~
R357	1430792	Bottom	O	6	0402R	Resistor 5% 63mW	33k	~
R359	1430778	Bottom	O	7	0402R	Resistor 5% 63mW	10k	~
R360	1430804	Bottom	O	7	0402R	Resistor 5% 63mW	100k	~
R361	1620019	Bottom	O	6	0404_R_SR	RES NETWORK 0W06 2X10K J 0404	2x10k	~
R367	1430786	Bottom	M	7	0402R	Resistor 5% 63mW	18k	~
R369	1430792	Bottom	M	5	0402R	Resistor 5% 63mW	33k	~
R388	4120071	Bottom	Q	4	uBGA8	ASIP EMIF03-SIM01 SIM FILTER BGA8	~	~
R420	1430726	Top	M	3	0402R	Resistor 5% 63mW	100R	~
R421	1430778	Top	M	4	0402R	Resistor 5% 63mW	10k	~
R422	1430873	Top	L	4	0402R	CHIPRES 0W06 27K F 0402	27k	~
R423	1430778	Top	L	4	0402R	Resistor 5% 63mW	10k	~
R450	1430770	Top	Q	4	0402R	Resistor 5% 63mW	4k7	~
R500	1430693	Bottom	L	3	0402R	Chipres 0W06 5R6 J 0402	5R6	~
R501	1430754	Bottom	K	2	0402R	Resistor 5% 63mW	1k0	~
R502	1430337	Bottom	J	2	0603R	CHIPRES 0W06 9K1 F 0603	9k1	~
R503	1430770	Bottom	I	4	0402R	Resistor 5% 63mW	4k7	~
R504	1430848	Bottom	I	4	0402R	Resistor 1% 63mW	12k	~
R505	1430770	Bottom	I	4	0402R	Resistor 5% 63mW	4k7	~
R516	1620033	Bottom	L	4	0404_R	RES NETWORK 0W06 2X5K6 J 0404	2x5k6	~
R517	1620033	Bottom	L	4	0404_R	RES NETWORK 0W06 2X5K6 J 0404	2x5k6	~
R520	1430774	Bottom	L	4	0402R	Resistor 5% 63mW	6k8	~
R522	1430784	Bottom	L	3	0402R	Resistor 5% 63mW	15k	~
R523	1430865	Bottom	K	3	0402R	CHIPRES 0W06 5K6 F 0402	5k6	~
R524	1620063	Bottom	J	5	MNR04	RES NETWORK 0W06 4X100K J 0804	4x100R	~
R525	1430770	Bottom	J	2	0402R	Resistor 5% 63mW	4k7	~
R531	1430726	Bottom	I	5	0402R	Resistor 5% 63mW	100R	~
R540	1430754	Bottom	C	7	0402R	Resistor 5% 63mW	1k0	~
R541	1430726	Bottom	I	5	0402R	Resistor 5% 63mW	100R	~
R700	1430700	Bottom	F	3	0402R	Resistor 5% 63mW	10R	~
R701	1430700	Bottom	F	4	0402R	Resistor 5% 63mW	10R	~
R702	1430700	Bottom	D	2	0402R	Resistor 5% 63mW	10R	~
R703	1430714	Bottom	E	3	0402R	Resistor 5% 63mW	33R	~
R704	1430714	Bottom	D	2	0402R	Resistor 5% 63mW	33R	~
R706	1430681	Bottom	F	2	0402R	CHIPRES 0W06 4R3 J 0402	4R3	~
R709	1430690	Bottom	F	4	0402R	Chipres 0W06 jumper 0402	0R	~
R710	1430758	Bottom	F	4	0402R	Resistor 5% 63mW	1k5	~
R714	1430691	Bottom	D	3	0402R	CHIPRES 0W06 2R2 J 0402	2R2	~
R715	1430691	Bottom	E	3	0402R	CHIPRES 0W06 2R2 J 0402	2R2	~
R716	1430690	Bottom	D	6	0402R	Chipres 0W06 jumper 0402	0R	~
R717	1430712	Top	Q	4	0402R	Resistor 5% 63mW	27R	~
R750	1430690	Bottom	C	3	0402R	Chipres 0W06 jumper 0402	0R	~
R800	1430700	Bottom	C	8	0402R	Resistor 5% 63mW	10R	~
R801	1430746	Bottom	C	7	0402R	Resistor 5% 63mW	560R	~
R970	1430770	Bottom	I	6	0402R	Resistor 5% 63mW	4k7	~

ITEM	CODE	SIDE	X	Y	VALUE	PART NUMBER	VALUE	VALUE
R971	1430770	Bottom	I	6	0402R	Resistor 5% 63mW	4k7	~
R972	1430778	Bottom	J	7	0402R	Resistor 5% 63mW	10k	~
R973	1430784	Bottom	I	7	0402R	Resistor 5% 63mW	15k	~
R974	1430726	Bottom	I	6	0402R	Resistor 5% 63mW	100R	~
R975	1430726	Bottom	J	6	0402R	Resistor 5% 63mW	100R	~
S302	5200025	Bottom	A	6	SWITCH_SKRE	SM TACT SW SIDE TRAVEL 0.2MM	~	~
T500	4550187	Bottom	L	3	TRANS_LDB213	TRANSF BALUN 3600MHZ+-400MHZ	~	~
T700	4550223	Bottom	C	3	TRANS_LDB15	TRANSF BALUN 1800+-100mhz 2x1.25	~	~
T701	4550165	Bottom	D	7	TRANS_LDB15	TRANSF BALUN 1.9GHZ+-100MHZ 2X1.25	~	~
V100	4113721	Top	R	4	CASE_457	TVS DI 1PMT16AT3 16V 175W PWRMITE	~	~
V300	4110475	Top	L	6	EMD2	SCH DI RB521S-30 200MA 35V SOD523	~	~
V311	4219937	Top	S	3	SOT_363	TRX2 UMT1/PUMT1 P40V100MA SOT363	~	~
V312	4210043	Top	S	4	EM3	TR DTC143ZE RB=4K7 RBE=47K EM3	~	~
V313	4219937	Top	S	3	SOT_363	TRX2 UMT1/PUMT1 P40V100MA SOT363	~	~
V314	4210043	Top	S	3	EM3	TR DTC143ZE RB=4K7 RBE=47K EM3	~	~
V317	4219937	Top	S	2	SOT_363	TRX2 UMT1/PUMT1 P40V100MA SOT363	~	~
V318	4860521	Top	U	3	LED_CL_430S_WF	LED CL430S-WF WHITE >500MCD@20MA	~	~
V319	4860521	Top	U	2	LED_CL_430S_WF	LED CL430S-WF WHITE >500MCD@20MA	~	~
V320	4210043	Top	S	2	EM3	TR DTC143ZE RB=4K7 RBE=47K EM3	~	~
V356	4110965	Bottom	O	7	SOD_523	CAP.DI BB202 CT=2.5 FM 0R8 SOD523	~	~
V357	4110965	Bottom	O	7	SOD_523	CAP.DI BB202 CT=2.5 FM 0R8 SOD523	~	~
V802	4210261	Bottom	C	7	SOT_363	TR BGA428 LNA1.8GHZ 19.5DB SOT363	~	~
X100	5409141	Bottom	G	4	CONN_T_297449C	SM BATTERY CONN 4POL SPR. 12V 2A	~	~
X101	5460061	Bottom	T	5	SYSCON_MQ202_NK_14R3_VJ	SM SYSTEM CONNECTOR 14POL	~	~
X301	5469135	Top	L	2	CPBT_297884_6	SM CONN 2X8 SPR 50V 0.5A PCB/PCB	~	~
X302	5469175	Top	B	6	CON_DF23C_10DS	SM CONN BTB 2X5 F P0.5	~	~
X386	5400085	Bottom	P	3	SIM_READER_HD940	SIM CARD READER 2X3POL P2.54 SM	~	~
X970	5409259	Bottom	F	7	CLE9014_01E	SM CONN 2X7F P1.4 CAMERA CIF-J	~	~
Z300	4120031	Top	M	2	uBGA24	EMI/ESD FILT EMIF10-1K010F1 BGA24	~	~
Z700	4511407	Bottom	E	2	FILTER_FAR_F5CQ	SAW FILTER 897.5+-17.5MHZ 2X2.5	897.5MHz	~
Z800	4550263	Bottom	C	6	ANT_SW_SHS_L090NQ	ANT SW 850/900/1800/1900 6.7X5	~	~
Z806	4511405	Bottom	B	6	FILTER_SAFET	SAW FILT 1960+-30MHZ/5DB 2.5X2.0MM	1960MHz	~
Z808	4511413	Bottom	I	2	FILTER_FAR_F6CQ	SAW FILT 1842.5+-37.5MHZ 2.5X2MM	1842.5MHz	~
Z809	4511411	Bottom	I	2	FILTER_FAR_F5CQ	SAW FILT 942.5+-17.5MHZ 2.5X2.0MM	942.5MHz	~
	9854729					PWB 1BJ 37.0X101.25X1.0 M8 4/PA		

